

CONSTANT TENSION CLAMPS

*-Buchanan's Maxi
Constant Tension clamps
are designed to
continuously seal in
conditions where
temperature or pressure
changes.*

*-Rounded edges prevent
hose damage.*

*-Low profile allows for
ease of use in confined
spaces.*



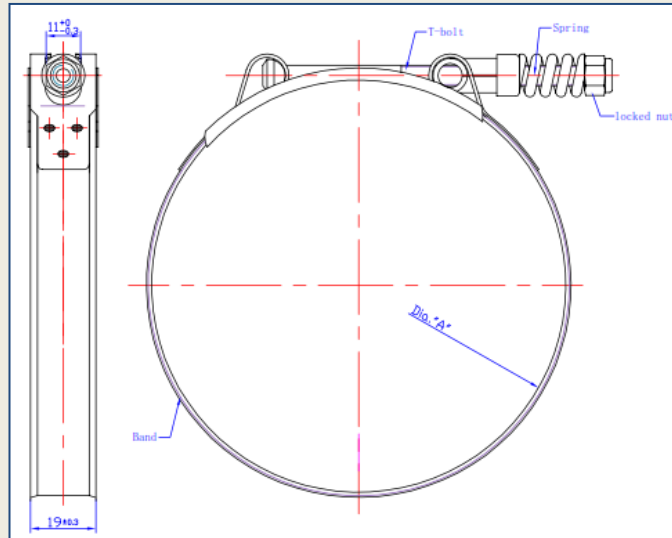
TORONTO - MONTREAL - EDMONTON - HOUSTON



BUCHANAN RUBBER LTD

Quality Product, Competitive Prices, Outstanding Service

CONSTANT TENSION CLAMPS



Item Code	Min ID	Max ID	Size Range(mm)	Band Width/Thickness(mm)
TSC-065-SP	2.25"	2.56"	58-65	19/0.6
TSC-068-SP	2.38"	2.69"	60-68	19/0.6
TSC-075-SP	2.63"	2.94"	67-75	19/0.6
TSC-081-SP	2.88"	3.19"	73-81	19/0.6
TSC-087-SP	3.13"	3.44"	79-87	19/0.6
TSC-090-SP	3.25"	3.56"	83-90	19/0.7
TSC-094-SP	3.38"	3.69"	86-94	19/0.6
TSC-100-SP	3.63"	3.94"	92-100	19/0.6
TSC-106-SP	3.88"	4.19"	99-106	19/0.6
TSC-113-SP	4.13"	4.44"	105-113	19/0.6
TSC-119-SP	4.38"	4.69"	111-119	19/0.6
TSC-125-SP	4.63"	4.94"	117-125	19/0.6
TSC-138-SP	5.13"	5.44"	130-138	19/0.6
TSC-151-SP	5.63"	5.94"	143-151	19/0.6
TSC-167-SP	6.25"	6.56"	159-167	19/0.6

Band/Bridge/Trunnion/Sleeve – AISI 301SS

Spring/Bolt/nut – zinc plated

www.buchananrubber.com

TORONTO - MONTREAL - EDMONTON - HOUSTON

50 Fasken
Dr,
Toronto, ON
M9W1K5

9555 Henri
Bourassa W,
St Laurent, QC
H4S1S7

9547-12Ave
SW,
Edmonton, AB
T6X0C3

5731 Harvey
Wilson Dr,
Houston, TX
77020